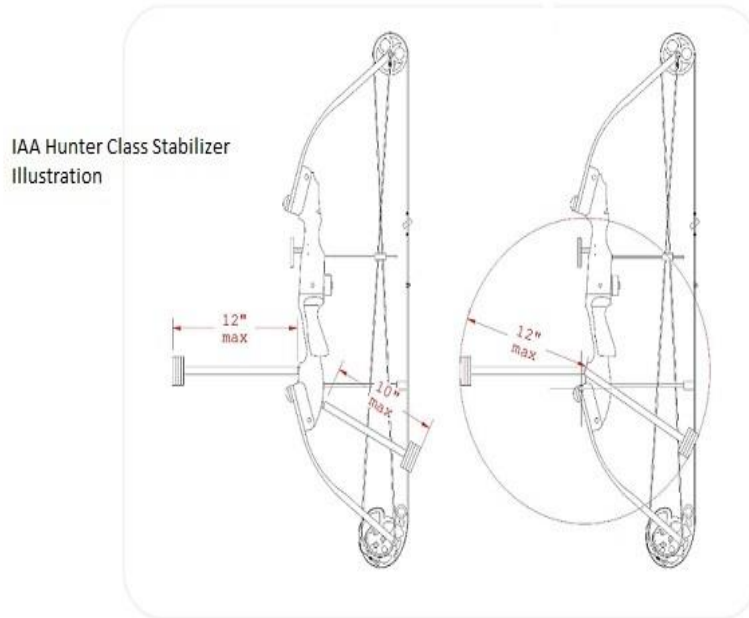


I. A. A. (Independent Archers Association) 2021 Classes

****ALL IAA SUPER SLAM EVENTS, STATE/REGIONAL QUALIFIERS, STATE CHAMPIONSHIPS, AND REGIONAL CHAMPIONSHIPS WILL FOLLOW IAA RULES AND CLASSES****



YOUTH CLASSES

(FREE)

Future Bowhunter (FBH) Open to any gender 8 and under. This is a non-competitive class. Archer shall use walk up method and shoot from a distance he/she is comfortable with.

(\$5) *NO CHARGE IN MICHIGAN*

Cub (Cub) Open to any gender 9 to 12 years of age. No restriction on equipment used except maximum poundage (40lbs) CUB archers will shoot from the **White** stake. ***Rangefinders Are Allowed***

(\$7) *NO CHARGE IN MICHIGAN*

Youth Hunter Known 13-14 (YHK 13-14) open to any gender. Archers in this class will use the same equipment as archers in the HC class. Archers will shoot from the **White** stake. ***Rangefinders Are Allowed***

Youth Hunter Known 15-17 (YHK 15-17) Open to any gender. Archers in this class will use the same equipment as archers in the HC class. Archers will shoot from the **Yellow** stake. ***Rangefinders Allowed***

Youth Open 13-17 (YO 13-17) Open to any gender. Equipment shall have no restriction on sights, stabilizers, or style of release. Archers will shoot from the **Yellow** stake. ***Rangefinders Are Allowed***

Youth Traditional 13-17 (YTRD 13-17) Open to any gender. Equipment shall be the same as the TRD Class. Archers will shoot from the **White** stake. ***Rangefinders Are Allowed***

ADULT TROPHY CLASSES

(\$10)

Hunter Class (HC) Bow may be shot with or without sights. Sight must be an actual "Hunting Sight" (disputes will be settled by the IAA). Magnification is not allowed. **When utilizing two points of connection the front Stabilizer will not exceed 12" in overall length from the point of connection, and the rear stabilizer will not exceed 10" in overall length from the point of connection (weights, vibration dampeners, etc will all be included when measuring overall length).** If using a single point of connection, the stabilizer can be any shape or configuration but must be contained within a theoretical sphere having a radius of 12 inches measured from the point of attachment. HC archers shoot from the **Yellow** stake. **Rangefinders are NOT allowed.**

Hunter Class Known (HCK) Archers in this class use the same equipment as the Hunter Class (HC). **Rangefinders are allowed.** Archer will shoot from the **Yellow** stake.

Female Hunter Known (FHK) Archers in this class use the same equipment as the Hunter Class (HC). **Rangefinders are allowed.** Archer will shoot from the **Yellow** stake.

Senior Female Hunter Known (SFHK) Optional class for archers 50 years or older. Archers in this class must use the same equipment as the Hunter Class (HC). **SFHK shooters may use a lens with no restrictions on magnification.** **Rangefinders are allowed.** Archer will shoot from the **Yellow** stake

Senior Hunter Known (SHK) Optional class for archers 50 years or older. Archers will use the same equipment as the Hunter Class (HC). **SHK shooters may use a lens with no restrictions on magnification.** **Rangefinders are allowed.** Archer will shoot from the **Yellow** stake

Super Senior Hunter Known (SSHK) Optional Hunter Class for archers 60 and older. Archers will use the same equipment as the Hunter Class (HC). **SHK shooters may use a lens with no restrictions on magnification.** **Rangefinders are allowed.** Archer will shoot from the **Yellow** stake.

Master Hunter Known (MHK) Optional Hunter Class for archers 70 and older. Archers will use the same equipment as the Hunter Class (HC). **MHK shooters may use a lens with no restrictions on magnification.** **Rangefinders are allowed.** Archer will shoot from the **Yellow** stake.

Female Known 35 (FK35) No restriction on sights, stabilizer, or style of release. **Rangefinders are allowed.** Archer will shoot from the **Yellow** stake.

Traditional (TRD) Open to any gender. Equipment shall consist of a Recurve or Longbow without wheels or cams. Elevated rest and plunger are allowed. No stabilizer. No sights or markings on the bow that may be used as a sighting device. Fingers must touch the string using a glove, tab, or bare fingers for release. At least one finger must be in contact with the arrow. No string walking or clickers. **Rangefinders are NOT allowed.** Archer will shoot from the **White** stake

Barebow Recurve Known (BRK) Open to any gender. Bows must conform to the World Archery definition of a barebow as found in World Archery Rules, Book 4 (Field and 3D Archery), Chapter 22, Sections 22.3 thru 22.3.10.1. **Rangefinders are allowed.** Archer will shoot from the **White** stake.

Trophy Known 40 (TK40) Open to any age and gender. No restriction on sights, stabilizer, or style of release. **Rangefinders are allowed.** Archer will shoot from the **Red** stake

Senior Trophy Known 40 (STK40) Optional class for archers 50 years and older. No restriction on sights, stabilizer, or style of release. **Rangefinders are allowed.** Archer will shoot from the **Red** stake

Physically Challenged (PCBH) Open to any age and gender. An optional class for archers that have an impairment recognized by the Americans with Disabilities Act. No restrictions on equipment. **Rangefinders are allowed.** Archer will shoot from the **Yellow** stake

Crossbow (X-BOW) Open to any age and gender. Must be standard production crossbow. No extra equipment used for bracing will be allowed. Must be shot "Free Hand" Bolts must be no less than 20/64ths in diameter and no shorter than 14 inches. All bolts must be identical in type, size, and point weight. Bolts must use at least 3 vanes or feathers and screw in field points. **350 fps Speed limit.** **X-BOW MUST BE INSPECTED PRIOR TO COMPETING.** **Rangefinders are allowed.** Archer will shoot from the **Green** stake

ADULT MONEY CLASSES

(\$20)

Advanced Hunter (AH) Open to any gender. Archers in this class must use the same equipment as archers in the Hunter Class (HC) except sight must be fixed pins. **Rangefinders are NOT allowed.** Archers will shoot from the **Red Stake**.

Advanced Hunter Known (AHK) Open to any gender. Archers in this class must use the same equipment as archers in the Hunter Class (HC) except sight must be fixed pins. **Rangefinders are allowed.** Archers will shoot from the **Red Stake**.

Senior Advanced Hunter Known (SAHK) Optional class for archers 50 years and older. Archers in this class must use the same equipment as archers in the Hunter Class (HC) except sight must be fixed pins. **SAHK shooters may use a lens with no restrictions on magnification. Rangefinders are allowed.** Archers will shoot from the **Red Stake**

Advanced Hunter Adjustable Known (AHAK) Open to any gender. Archers in this class must use the same equipment as archers in the Hunter Class (HC). Adjustable style hunting sight allowed. Questionable sights must be approved by the IAA. **Rangefinders are allowed.** Archers will shoot from the **Red Stake**.

Female Known 40 (FK40) No restriction on sights, stabilizers, or style of release. **Rangefinders are allowed.** Archer will shoot from the **Red stake**.

Senior Female Known 40 (SFK40) Optional class for archers 50 years and older. No restriction on sights, stabilizers, or style of release. **Rangefinders are allowed.** Archer will shoot from the **Red stake**.

Super Senior Known 40 (SSK40) Optional class for archers 60 years and older. No restriction on sights, stabilizers, or style of release. **Rangefinders are allowed.** Archer will shoot from the **Red stake**.

Known 45 (K45) No restriction on sights, stabilizers, or style of release. **Rangefinders are allowed.** Archer will shoot from the **Green stake**.

Senior Known 45 (SK45) Optional class for archers 50 years and older. No restriction on sights, stabilizers, or style of release. **Rangefinders are allowed.** Archer will shoot from the **Green stake**

Known 50 (K50) No restriction on sights, stabilizers, or style of release. **Rangefinders are allowed.** Archer will shoot from the **Blue stake**.

Male Open (MO) No restriction on sights, stabilizers, or style of release. **Rangefinders are NOT allowed.** Archer will shoot from the **Blue stake**.

ELITE CLASSES

(\$35)

Elite Hunter Known (EHK) Open to any gender. Archers in this class must use the same equipment as archers in the Hunter Class (HC) with the exception that there will be no restriction on sights (except no magnification).

Rangefinders are allowed. Archer will shoot from the **Blue** Stake

Female Elite Known (FEK) No restrictions on sights, stabilizers, or style of release. **Rangefinders are allowed.** Archer will shoot from the **Blue** stake

Male Elite Known (MEK) No restriction on sights, stabilizers, or style of release. **Rangefinders are allowed.** Archer will shoot from the **Blue** stake

Senior Male Elite Known (SMEK) Optional class for archers 50 years and older. No restriction on sights, stabilizers, or style of release. **Rangefinders are allowed.** Archer will shoot from the **Blue** stake

White..... 25 yrds

Yellow.....35 yrds

Red.....40 yrds

Green.....45 yrds

Blue..... 50 yrds